

QV-IPC81365BY01-TPMS

6MP Fisheye Camera



Fisheye

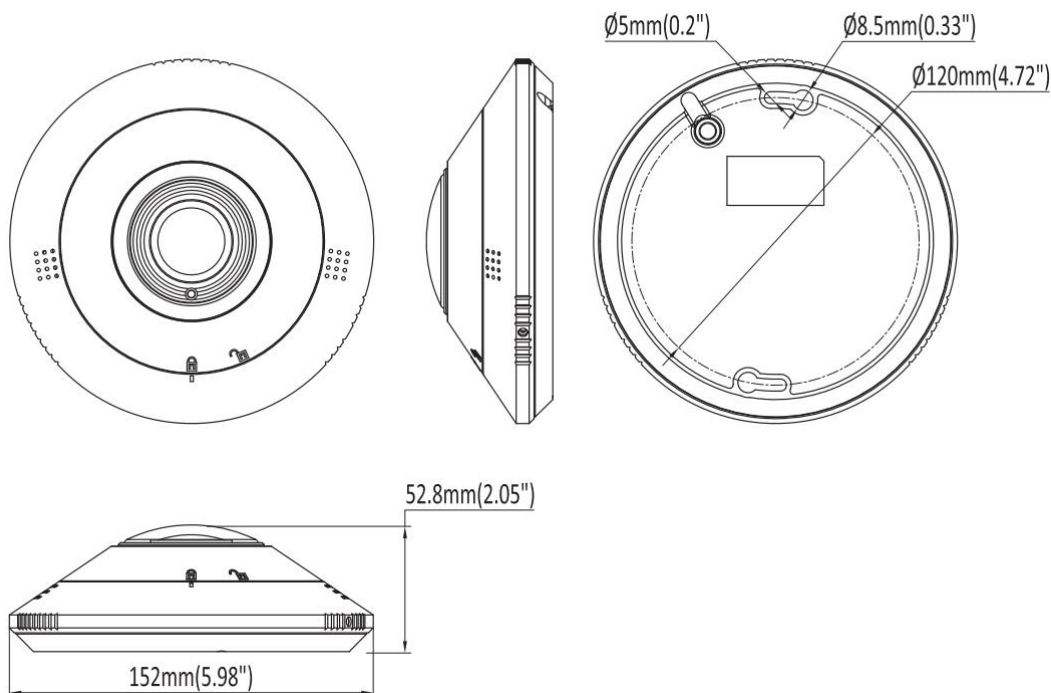
Qualvision fisheye cameras provide a 360-degree view across all areas from a single vantage point. The camera offers perimeter protection functions with iQSense technology and also people counting. This easy-to-install solution delivers superior situational awareness free from any blindspots.



Key Features

- High quality imaging with 6MP resolution
- Efficient H.265+ compression technology
- Built-in microphone and speaker for real-time audio security
- Multiple dewarp modes
- Water and dust resistant (IP66)

Dimensions





Specification

Camera	
Image Sensor	1/2.5" Progressive Scan CMOS Sensor
Min. Illumination	0.008 lux (Color), 0 Lux (IR on)
Illumination Distance	20m (IR light)
Strobe Light	N/A
Smart IR	Support
Shutter Time	Auto/Manual, 1/3 ~ 1/100000 s
Pan/Tilt/Rotation Range	N/A
Day/Night	IR cut filter
Wide Dynamic Range	DWDR
Digital Noise Reduction	3D DNR
Lens	
Focal Length	1.68 mm
Aperture	F2.0
FOV	Horizontal FOV: 180°, vertical FOV: 180°
Lens Mount	M12
DORI	
DORI	1.68 mm, D: 33 m, O: 13 m, R: 6.5 m, I: 3.3 m
Compression Standard	
Video Compression	H.264/H.264+/H.265/H.265+/MJPEG
H.264 Codec Profile	Base/Main/High profile
H.265 Codec Profile	Main profile
Video Bit Rate	11 Kbps ~ 10 Mbps
Triple Streams	N/A
Audio Compression	G.711A, G.711U
Audio Bit Rate	64 Kbps
Image	
Max. Image Resolution	2560 × 2560
Main Stream	Fisheye 50HZ: 25fps (2560 × 2560, 1920 × 1920) 60HZ: 30fps (2560 × 2560, 1920 × 1920)



	Panoramic	50HZ: 15fps (1920 × 1080, 1280 × 720) 60HZ: 15fps (1920 × 1080, 1280 × 720)
	4 PTZ	50HZ: 15pfs (1024 × 768) 60HZ: 15pfs (1024 × 768)
	Fisheye + Panoramic + 3 PTZ	50HZ: 25fps (1920 × 1920) +15fps (1920 × 1080) + 15fps (1024 × 768) *3 60HZ: 30fps (1920 × 1920) +15fps (1920 × 1080) + 15fps (1024 × 768) *3
	Fisheye + 4 PTZ	50HZ: 25fps (1920 × 1920) + 15fps (1024 × 768) *4 60HZ: 30fps (1920 × 1920) + 15fps (1024 × 768) *4
	Panoramic + 4 PTZ	50HZ: 15fps (1920 × 1080, 1280 × 720) + 15fps (1024 × 768) *4 60HZ: 15fps (1920 × 1080, 1280 × 720) + 15fps (1024 × 768) *4
Sub Stream	Fisheye	50HZ: 25fps (960 × 960, 480 × 480) 60HZ: 30fps (960 × 960, 480 × 480)
	Panoramic	50HZ: 15fps (704 × 576, 352 × 288) 60HZ: 15fps (704 × 480 , 352 × 240)
	4 PTZ	50HZ: 15pfs (640 × 480) 60HZ: 15pfs (640 × 480)
	Fisheye + Panoramic + 3 PTZ	50HZ: 25fps (960 × 960, 480 × 480) +15fps (704 × 576) + 15fps (640 × 480) *3 60HZ: 30fps (960 × 960, 480 × 480) +15fps (704 × 480) + 15fps (640 × 480) *3
	Fisheye + 4 PTZ	50HZ: 15fps (960 × 960, 480 × 480) + 15fps (640 × 480) *4 60HZ: 15fps (960 × 960, 480 × 480) + 15fps (640 × 480) *4
	Panoramic + 4 PTZ	50HZ: 15fps (704 × 576 , 352 × 288) + 15fps (640 × 480) *4 60HZ: 15fps (704 × 480 , 352 × 240) + 15fps (640 × 480) *4
Third Stream	N/A	
Image Setting	Brightness/Contrast/Saturation/Hue/Sharpness	
BLC	Support	
HLC	Support	
ROI	Support	
Smart Feature		
Basic Event	Motion detection, Video Shelter	
Smart Event	Line crossing detection, Area intrusion, Region Entrance, Region Exiting	
Network		
Network Storage	NAS (NFS, SMB/CIFS)	
Protocols	TCP/IP, ICMP, HTTP, HTTPS, FTP, DHCP, DNS, DDNS, RTP, RTSP, RTCP, NTP, IGMP, UPnP, SMTP, UPnP-TM, P2P	
System Compatibility	Onvif (Profile S, G,T), CGI, SDK	
Security	Password protection, complicated password, HTTPS encryption, IP address filter, basic and digest authentication for HTTP/HTTPS, TLS 1.1,1.2, WSSE and digest authentication for Open Network Video Interface	
User	Up to 40 users	
Web Browsers	Plug-in required live view: IE 10, IE 11 Local service: Chrome 57.0+, Firefox 52.0+	
Mobile Surveillance	IOS, Android	
Interface		



Communication interface	1 RJ45 10 M/100 M self-adaptive Ethernet port
On-board storage	Up to 256 GB
MIC	Support
Speaker	Support
Audio I/O	1/1
Alarm I/O	1/1
Reset button	Support
General	
Operating Conditions	-40°C ~ 60°C (-40°F ~ 140°F) Humidity 95% or less (non-condensing)
Power Supply	DC 12 V ± 25%
POE	PoE (802.3 af)
Power Consumption	MAX.9 W
Protection Level	IP66
Material	Metal
Dimensions	Φ 152 mm × 53 mm (Φ 5.98" × 2.08")
Gross Weight	724 g (1.59 lb)